

Tech Tip #126 - Liquid Resin Tote Setup and Dispensing

CUTTING TOOL

A special SpaceKraft® cutting tool is provided in order to puncture the bag for side dispensing. Designed to work with any standard 2" valve (see illustrations), it features a serrated retractable shaft. This is inserted through the open valve and nipple to puncture the plastic bag. After the bag has been punctured, the plunger is retracted, valve closed and cutting tool removed.

VALVE SYSTEMS

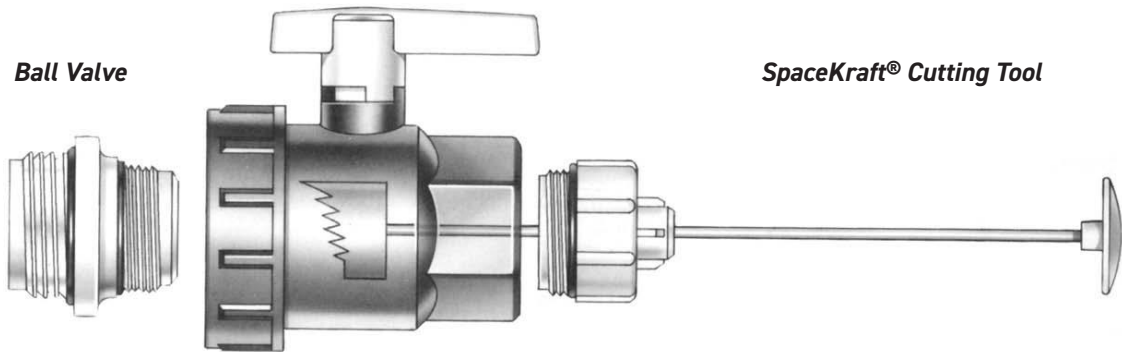
A 2" male nipple with O-ring seals is needed to connect the valve to the bag fitting.

Any standard 2" American valve, such as the ball valve shown on the cutting tool above, a disposable gate valve or a gate valve may be used for side dispensing. The SpaceKraft® cutting tool can be attached directly to any valve that has a buttress fitting so it doesn't cross thread.

When the bag has been punctured, the valve closed and the cutting tool removed, product can be dispensed either by the pump or gravity method.

For pump dispensing, a quick disconnect fitting is recommended.

All components shown here are available from SpaceKraft®.

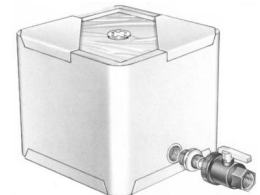


SIDE DISPENSING

For maximum flexibility, SpaceKraft® containers can be emptied by pump or gravity.

To empty SpaceKraft® containers from the side, use any standard valve, a 2" male nipple and a SpaceKraft® cutting tool.

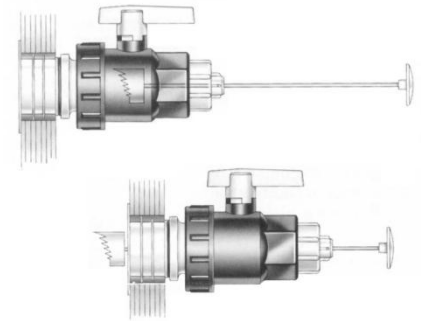
For pump dispensing, a quick disconnect is recommended.



USING THE CUTTING TOOL FOR SIDE DISPENSING

1. Using a 2" male nipple, attach any standard valve to bag fitting.
2. Attach SpaceKraft® cutting tool directly to valve.
 - 2a. At this point, if the bag fitting is noticed to be off center, or if difficulty is encountered when attaching the valve, you can use the cutting tool's additional torque to pull the valve back to center point prior to cutting and attaching the hose.

Insert cutting tool through nipple and valve



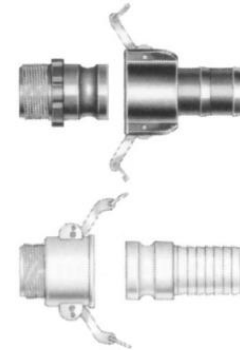
3. With valve in the open position, push the handle of the cutting tool to extend the plunger through the valve opening into the bag.
4. When the bag has been punctured, withdraw the plunger by pulling back on the handle of the cutting tool.

5. Close valve and remove cutting tool.

6. To facilitate drainage, block the opposite side of the pallet with a 4" x 4".

7. For pump dispensing, attach hose with quick disconnect. Open valve and begin pumping.

Puncture bag and pull back on handle to withdraw



SpaceKraft® is a registered trademark of International Paper